

- 1
- 2
- 3
- 4
- 5
- 6
- 7
- 8
- 9
- 10
- 11
- 12
- 13
- 14
- 15
- 16
- 17
- 18

MATERIAL

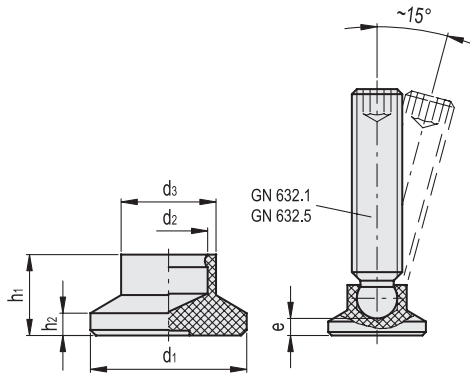
Acetal resin based (POM) technopolymer, black colour, matte finish.

FEATURES AND APPLICATIONS

GN 631 thrust pads are used to transmit clamping forces by means of grub screws GN 632.1 (see page 639) and GN 632.5 (see page 640). They can be adapted on irregular or non-parallel surfaces and allow the locking preventing the rotating movement of the screw from being exerted directly on the piece to be locked. With the technopolymer thrust pads locking operations can be realised without scratching the surface of the item to be locked.



| Conversion Table | |
|-------------------|------|
| 1 mm = 0,039 inch | |
| d1 | |
| mm | inch |
| 15 | 0.59 |
| 18 | 0.71 |
| 21 | 0.83 |
| 25 | 0.98 |
| 32 | 1.26 |
| 40 | 1.57 |
| 50 | 1.97 |



METRIC

| Code | Description | d1 | d2 | d3 | h1 | h2 | e | Set screw GN 632.1/GN 632.5 | ⚖ |
|----------|---------------|----|-----|------|------|-----|------|--------------------------------|----|
| GN.12100 | GN 631-15-4.5 | 15 | 4.5 | 8.6 | 7.6 | 2.5 | 3.6 | M6 | 1 |
| GN.12101 | GN 631-15-6.1 | 15 | 6.1 | 8.6 | 7.6 | 2.5 | 2.5 | M8 | 1 |
| GN.12105 | GN 631-18-4.5 | 18 | 4.5 | 10.8 | 9.2 | 2.5 | 5.2 | M6 | 1 |
| GN.12106 | GN 631-18-6.1 | 18 | 6.1 | 10.8 | 9.2 | 2.5 | 4.2 | M8 | 2 |
| GN.12111 | GN 631-18-7.8 | 18 | 7.8 | 10.8 | 9.2 | 2.5 | 3.8 | M10 | 2 |
| GN.12112 | GN 631-21-4.5 | 21 | 4.5 | 12.8 | 10 | 3 | 6 | M6 | 2 |
| GN.12113 | GN 631-21-6.1 | 21 | 6.1 | 12.8 | 10 | 3 | 5 | M8 | 3 |
| GN.12116 | GN 631-21-7.8 | 21 | 7.8 | 12.8 | 10 | 3 | 4.3 | M10 | 3 |
| GN.12121 | GN 631-21-9.4 | 21 | 9.4 | 12.8 | 10 | 3 | 3.4 | M12 | 3 |
| GN.12128 | GN 631-25-4.5 | 25 | 4.5 | 13 | 10.5 | 3 | 6.5 | M6 | 5 |
| GN.12129 | GN 631-25-6.1 | 25 | 6.1 | 13 | 10.5 | 3 | 5.5 | M8 | 3 |
| GN.12131 | GN 631-25-7.8 | 25 | 7.8 | 13 | 10.5 | 3 | 4.6 | M10 | 5 |
| GN.12136 | GN 631-25-9.4 | 25 | 9.4 | 13 | 10.5 | 3 | 3.6 | M12 | 5 |
| GN.12140 | GN 631-32-4.5 | 32 | 4.5 | 14 | 11 | 3 | 7 | M6 | 6 |
| GN.12141 | GN 631-32-6.1 | 32 | 6.1 | 14 | 11 | 3 | 6 | M8 | 5 |
| GN.12143 | GN 631-32-7.8 | 32 | 7.8 | 14 | 11 | 3 | 5 | M10 | 5 |
| GN.12146 | GN 631-32-9.4 | 32 | 9.4 | 14 | 11 | 3 | 4.2 | M12 | 5 |
| GN.12151 | GN 631-40-6.1 | 40 | 6.1 | 16 | 13 | 4 | 8 | M8 | 10 |
| GN.12153 | GN 631-40-7.8 | 40 | 7.8 | 16 | 13 | 4 | 7 | M10 | 10 |
| GN.12156 | GN 631-40-9.4 | 40 | 9.4 | 16 | 13 | 4 | 6.2 | M12 | 10 |
| GN.12161 | GN 631-50-6.1 | 50 | 6.1 | 16 | 15.5 | 4 | 10.4 | M8 | 12 |
| GN.12163 | GN 631-50-7.8 | 50 | 7.8 | 16 | 15.5 | 4 | 9.3 | M10 | 12 |
| GN.12166 | GN 631-50-9.4 | 50 | 9.4 | 16 | 15.5 | 4 | 8.7 | M12 | 12 |

Standard machine parts